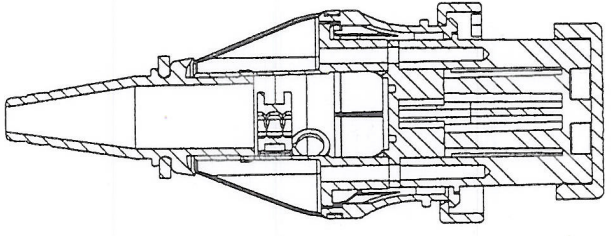
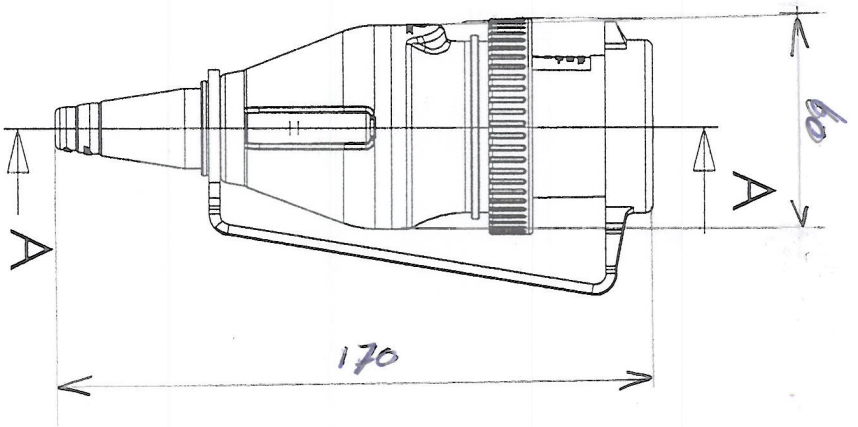


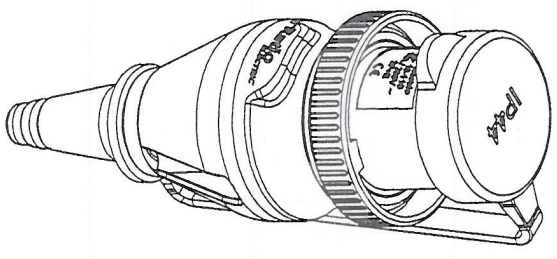
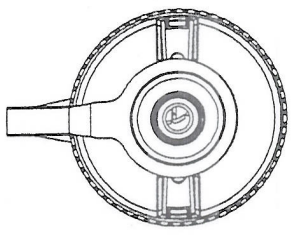
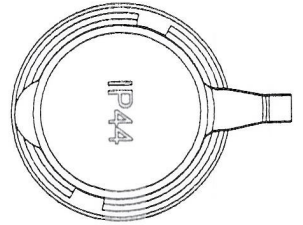


THE INFORMATION CONTAINED IN THIS DRAWING IS THE SOLE PROPERTY OF NOEST production equipment. ANY REPRODUCTION IN PART OR WHOLE WITHOUT THE WRITTEN PERMISSION OF NOEST production equipment IS PROHIBITED

**PRODUCTION**  
(3d-file leading)



SECTION A-A



UNLESS OTHERWISE SPECIFIED DIMENSIONS ARE IN MM TOLERANCES ARE ACCORDING: DIN 16901		CAD GENERATED DRAWING DO NOT MANUALLY UPDATE		American projection	
VOLUME: --	APPROVALS: --	DATE: 7/2/2007	MP16-110(plug assembly)		
MATERIAL: --	DRAWN: 3DE		CLIENT: --	SIZE: A4	DWG. NO: MP16-110
FINISH: --	CHECKED: --				REV: --
NOTES: --		CONTACT: 010 722 10 10 (working assembly)    CHECKED: 2.07			
CC: 103 CAD: 010 722 10 10					